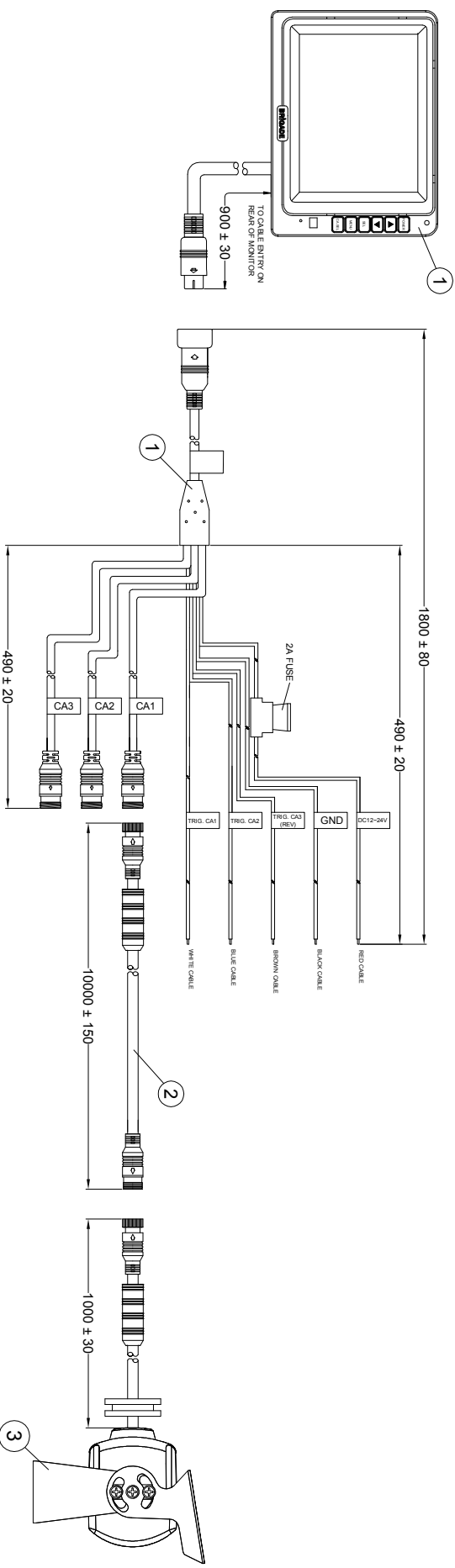


Revision Notes

AP: - Drawn: - Checked: - Approved: - Date: -

ITEM	PART NO.	VARIANT	QTY	MODEL / DESCRIPTION
①	(3280A)	WGB	1	VBV-750DM MONITOR KIT
②	(1386)	N/A	1	VBV-410 10M CAMERA CABLE
③	(2575B)	WGB	1	VBV-701C CAMERA KIT



- NOTES:
1. REFER TO COMPONENT DRAWINGS FOR COMPONENT DETAIL.
  2. REFER TO COMPONENT PRODUCT SPECIFICATIONS FOR PRODUCT SPECIFICATIONS.
  3. FOR SYSTEM BOX SERIAL NUMBER LABELS REFER TO LATEST REVISION OF DRAWING BE-001323-XX-10.
  4. FOR SYSTEM GIFTBOX LABEL REFER TO LATEST REVISION OF DRAWING BE-002648-XX-13.
  5. PURCHASE ORDER TO DEFINE SYSTEM PACKAGING VARIANT.
  6. REFER TO LATEST REVISION OF DRAWING BE-001954-XX-12 (4028) FOR PACKAGING DETAIL.

**PROPRIETARY NOTICE**  
 THIS DESIGN AND TECHNICAL INFORMATION APPEARING ON THIS DRAWING IS THE PROPERTY OF BRIGADE ELECTRONICS, AND IS DISCLOSED IN CONFIDENCE. IT IS NOT TO BE COPIED, REPRODUCED, REVEALED TO OR EXPLOITED BY OTHERS, EITHER IN WHOLE OR IN PART WITHOUT THE EXPRESS WRITTEN CONSENT OF BRIGADE ELECTRONICS.

**BRIGADE®**  
 www.brigade-electronics.com

Assembly Pl Approval XINYU HUANG (18/09/13)		Approved by S.MATTHEWS		Checked by B.CHILDS		Drawn by P.MISSEN	
Angle of Projection Third Angle		Units mm	Scale N/A	Released 25/09/13	Assembly Ref -		
Status RELEASED		Part No 4556		VBV-750D-010N			
				BE-002647-00-13			